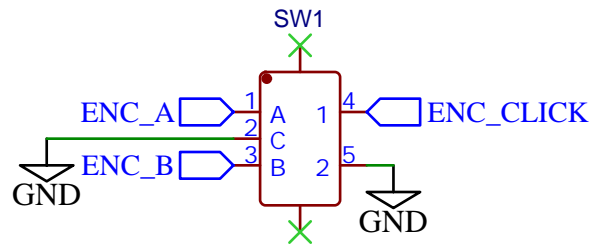
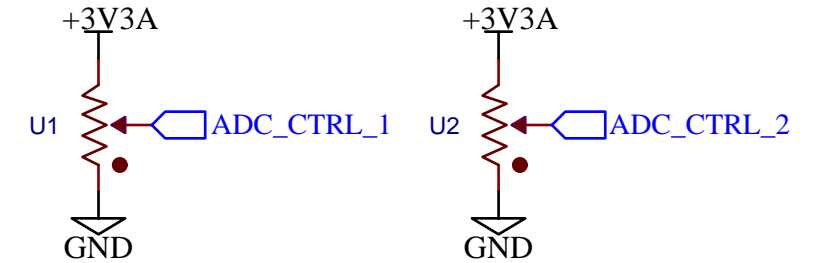


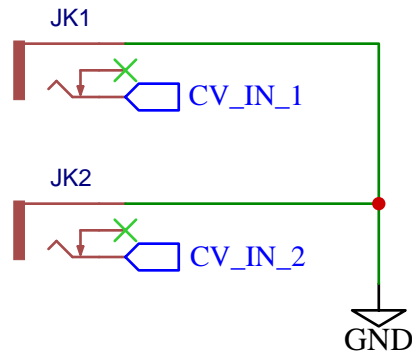
Rotary Encoder



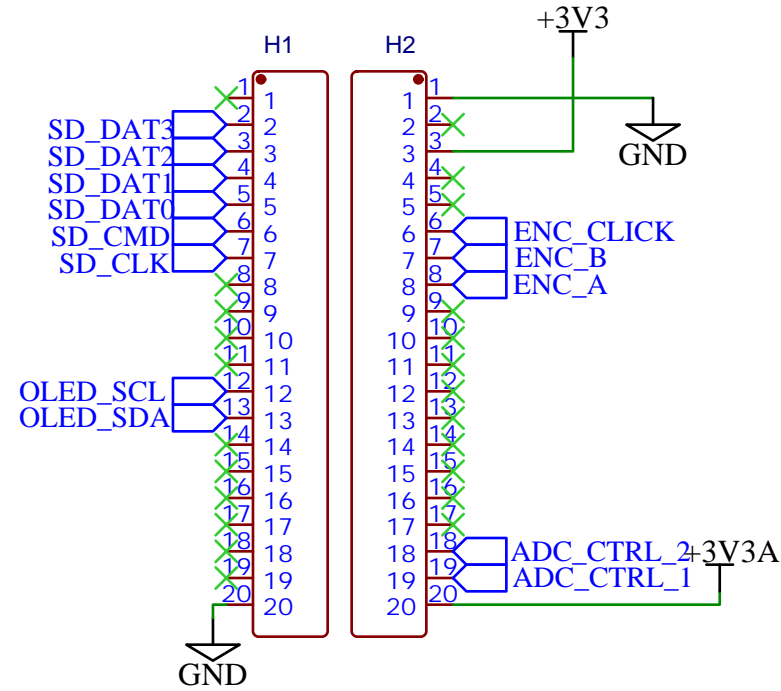
Potentiometers



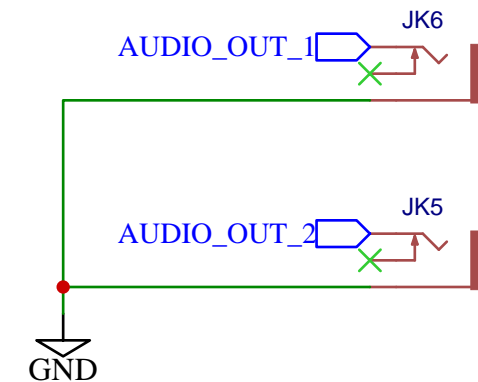
CV In



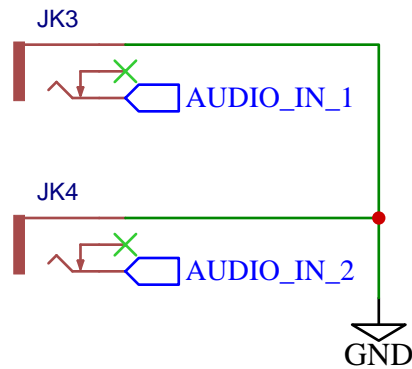
Daisy Mezzanine



Audio Out



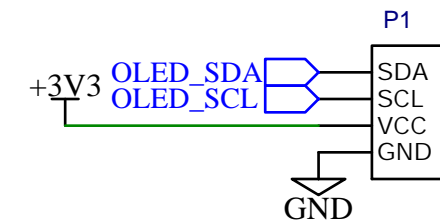
Audio In



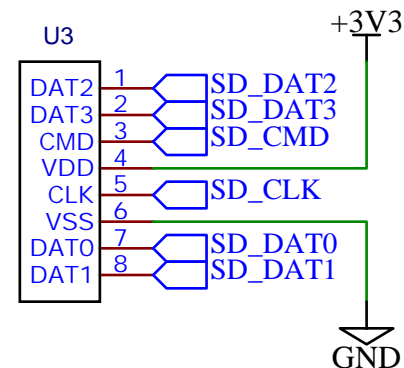
MIDI Mezzanine



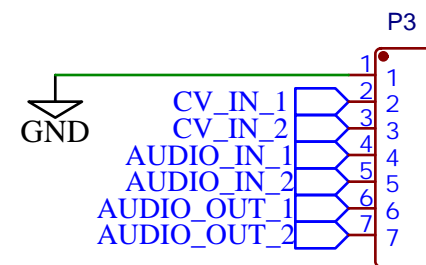
OLED Display



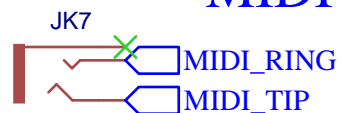
MicroSD



Analog Mezzanine



MIDI In



TITLE: kmx_bluemchen Front Board		REV: 3.0
	Company: kmx	Sheet: 1/1
	Date: 2021-02-05	Drawn By: recursinging